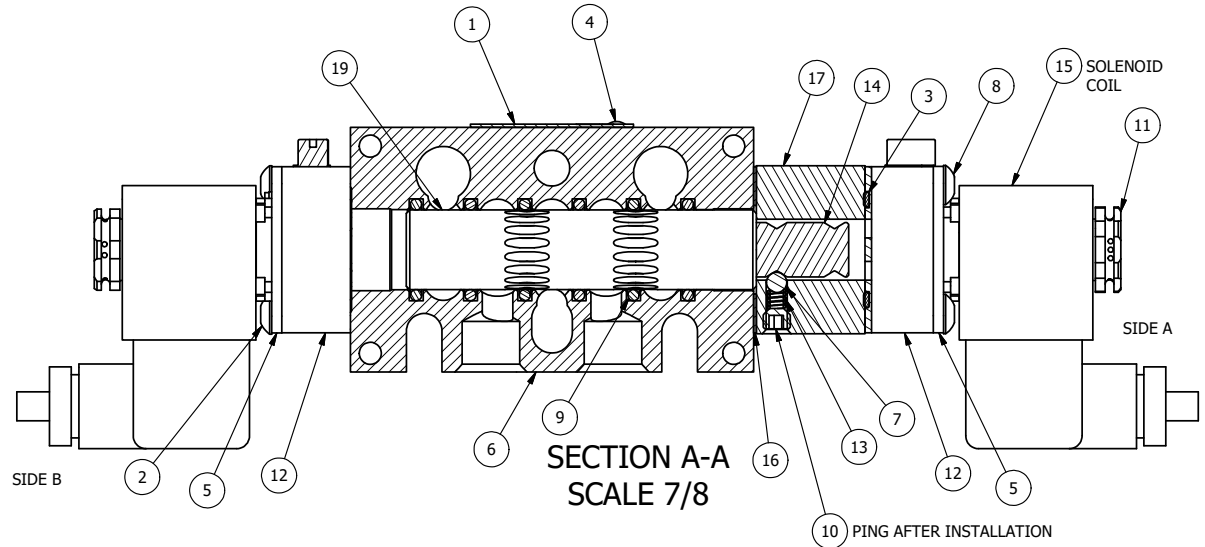


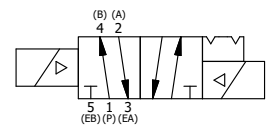
NOTES:  
 1) ALWAYS GIVE VALVE MODEL AND PART NUMBER WHEN ORDERING PARTS.  
 2) LUBRICATE DETENT BALL, SPRING AND STUD.



19	1	S3R	SPOOL - SOLID, STANDARD, 2 POS, CLSD CTR, 1/4" & 3/8" VALVE
18	3	V-110	O-RING, BUNA-N, 70 DURO, AS-114, (REF 5/8 X 13/16 X 3/32), 1/4" SLEEVE, 1/2" SUB, STACK
17	1	PEC3-18	ENDCAP, SPACER, DETENT, SOLENOID, 6061-T6, 1/4" & 3/8" VALVES
16	1	BG3	GASKET - END CAP, 1/4" & 3/8" VALVE
15	2	V-612-3	ATEX COIL 24 VDC WITH 3 METER CORD. NASS # 1215 30.1-001/6896.
14	1	PBS3-13-SS	STUD - POS. A & C. DETENT, STAINLESS STEEL, 1/4" & 3/8" VALVE
13	1	DS3	SPRING - DETENT, 1/4" & 3/8" VALVE
12	2	V-599-1	SOL OPER, END MOUNT, LOCKING O'RIDE
11	2	V-562	NUT, SOLENOID, SIDE EXHAUST
10	1	V-21	SCREW, 1/4-20 X 3/16, SOCKET SET, CUP POINT
9	6	V-39	O-RING, VITON, STD BODY, 1/4" & 3/8" VALVES
8	4	V-585	SCREW, 10-24 X 2-1/8, SOCKET BUTTON HEAD
7	1	V-14	BALL, CHROME STEEL 3/16 DIA, GRADE 25, FOR DETENT
6	1	B3-10E	FINISHED - SOLID BODY, UPPER PILOTS, 3/8" STACKING VALVE
5	2	SEC3-7	PLATE, RE-INFORCEMENT, SOLENOID, STAMPED, 304 STAINLESS
4	2	V-212	SCREW, #2 X 3/16 DRIVE, TYPE U, OVAL HEAD, STAINLESS STEEL
3	2	EMG3	GASKET - END MOUNT SOLENOID, BUNA-N, 1/4" & 3/8" VALVES
2	4	V-584	SCREW, 10-24 X 1, BUTTON HEAD SOCKET CAP WITH MICROSPHERE APPLIED TO THREADS.
1	1	AN-114	NAMEPLATE, BLANK, FOR VALVES WITH SPRINGS OR DETENTS
FLG	QTY	PART NO	DESCRIPTION

LIMITS ON DIMENSIONS UNLESS OTHERWISE SPECIFIED		2-PL DECIMAL ± .01 3-PL DECIMAL ± .005 FRACTIONAL ± 1/64 ANGULAR ± 1/2°		<b>AAA PRODUCTS INTERNATIONAL</b> 7114 Harry Hines Blvd Dallas, TX 75235
DRAWN: RMckenna	DATE: 3/6/2020	CHECKED: KWaite	DATE: 3/6/2020	
SCALE: 1 : 1	SHEET: 1 OF 1	RELEASED: HWomack	DATE: 3/6/2020	
TITLE: <b>3/8" STACK, DBL SOL, 2 POS, DETENT, ATEX, 24VDC, LCKNG OVRD, SIDE VENT</b>			PART NO.: <b>EBSS3TOCQ 24VDC</b>	REV.: <b>A</b>

A	NO.	DATE	CHNGD EMG3 GASKET TO BG3.	REVISION



THE INFORMATION CONTAINED WITHIN THIS DOCUMENT IS PROPRIETARY TO AAA PRODUCTS AND MAY NOT BE DISCLOSED WITHOUT PRIOR WRITTEN CONSENT

E:\Engineering\product\Valve Assembly\Standard\SS\DWG\EBSS3TOCQ 24VDC.dwg